

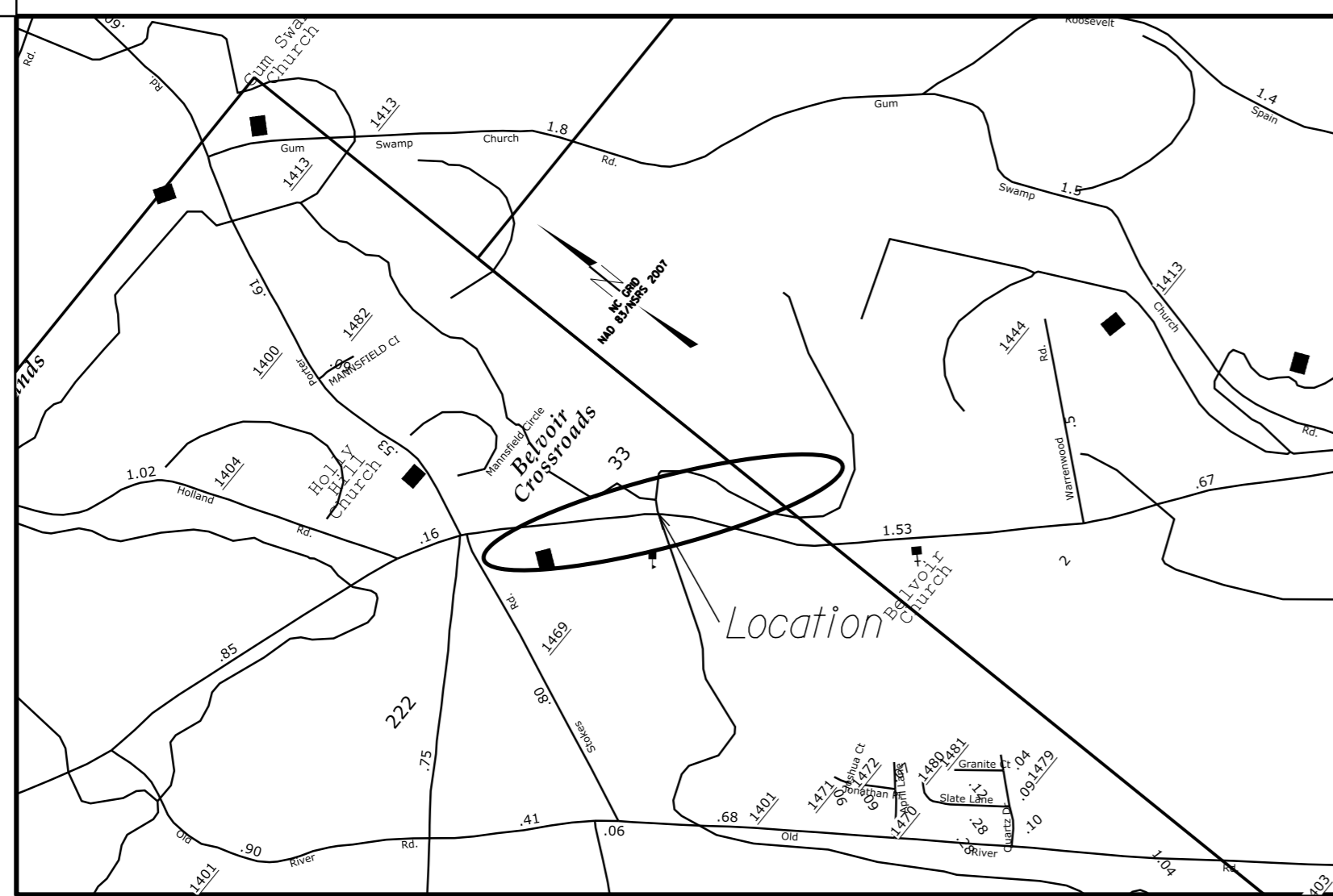
STATE	STATE PROJECT REFERENCE NO.	SHEET NO.	TOTAL SHEETS
N.C.	DF15002.2074806	1	13
STATE PROJ. NO.	F.A. PROJ. NO.	DESCRIPTION	

STATE OF NORTH CAROLINA  
DIVISION OF HIGHWAYS

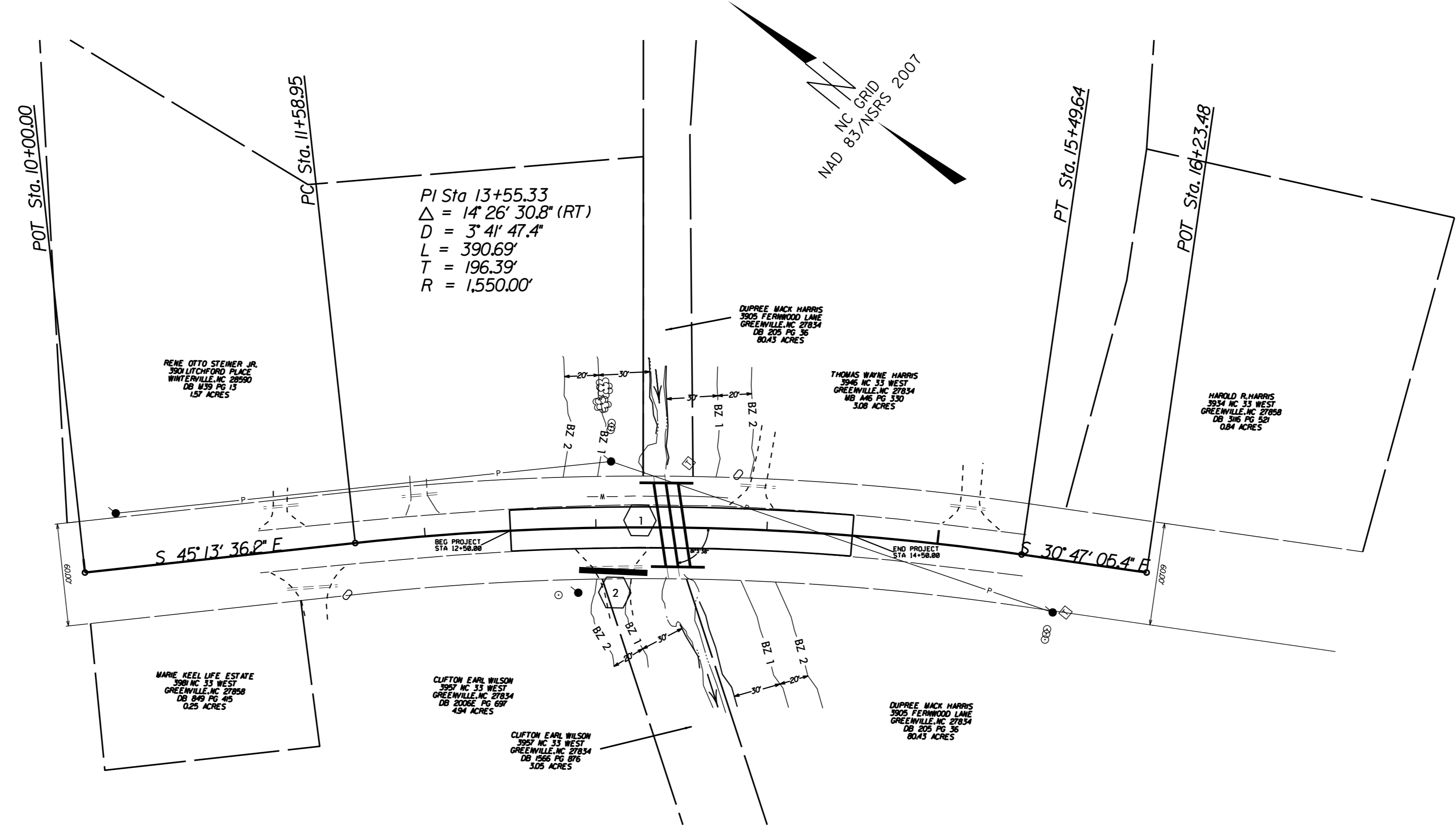
# PITT COUNTY

LOCATION: NC 33 0.47 MILES NORTHWEST OF STOKES RD (SR 1469)

TYPE OF WORK: STORM RELATED DAMAGE REPAIR  
CULVERT REPLACEMENT, GRADING, DRAINAGE  
AND PAVING

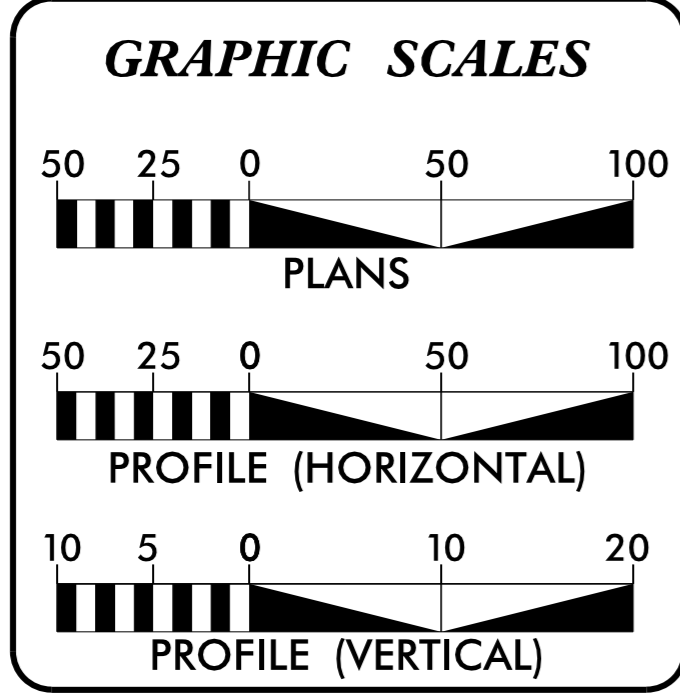


See Sheet 1-A For Index of Sheets



PROJECT: DF15002.2074806

CONTRACT: DB00331



**PROJECT LENGTH**

TOTAL LENGTH PROJECT = 0.038 MILE

Prepared in the Office of:  
**DIVISION OF HIGHWAYS**  
1704 N. Greene St., Greenville NC 27835

2012 STANDARD SPECIFICATIONS

**RIGHT OF WAY DATE:** N/A

**LETTING DATE:** N/A

**WILLIAM C KINCANNON, PE**  
PROJECT ENGINEER

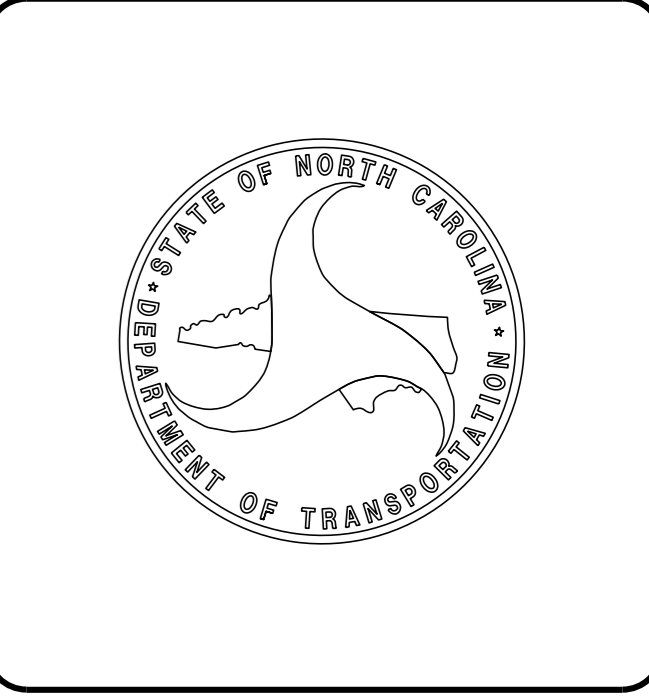
**LANG JONES**  
PROJECT DESIGN ENGINEER

**HYDRAULICS ENGINEER**

DocuSigned by:  
*William C Kincannon*  
SIGNATURE: 6/16/2017 P.E.

**ROADWAY DESIGN ENGINEER**

DocuSigned by:  
*William C Kincannon*  
SIGNATURE: 6/16/2017 P.E.



16-JUN-2017 09:19 G:\PROJECTS\PITT\33BELVOIR\33belvoir\_pshl.dgn \$\$\$USERNAME\$\$\$

8/17/99

REVISIONS

INDEX OF SHEETS

- 1 TITLE SHEET
- 1A INDEX OF SHEETS, GENERAL NOTES, STANDARD DRAWINGS
- 1B CONVENTIONAL SYMBOLS
- 2 TYPICAL SECTIONS
- 3 SUMMARY OF QUANTITIES
- 3A SUMMARY OF DRAINAGE AND EARTHWORK QUANTITIES
- 4 PLAN & PROFILE SHEET
- EC1-EC4 EROSION CONTROL SHEETS
- X1A CROSS-SECTION SUMMARY
- X1 CROSS-SECTIONS

GENERAL NOTES:

2012 SPECIFICATIONS  
EFFECTIVE: 01-17-2012  
REVISED: 07-30-2012

GRADING AND SURFACING OR RESURFACING:

THE GRADE LINES SHOWN ON CROSS SECTIONS DENOTE THE EXISTING ELEVATION OF PORTION OF ROAD TO BE REPAIRED  
GRADE LINES MAY BE ADJUSTED BY THE ENGINEER IN ORDER TO SECURE A PROPER TIE-IN.

CLEARING:

CLEARING ON THIS PROJECT SHALL BE PERFORMED TO THE LIMITS ESTABLISHED BY METHOD II.

SUBSURFACE PLANS:

NO SUBSURFACE PLANS ARE AVAILABLE ON THIS PROJECT. THE CONTRACTOR SHOULD MAKE HIS OWN INVESTIGATION AS TO THE SUBSURFACE CONDITIONS.

UTILITIES:

ANY RELOCATION OF EXISTING UTILITIES WILL BE ACCOMPLISHED BY OTHERS, EXCEPT AS SHOWN ON THE PLANS.

RIGHT-OF-WAY MARKERS:

ALL RIGHT-OF-WAY MARKERS ON THIS PROJECT SHALL BE PLACED BY OTHERS.

2012 ROADWAY ENGLISH STANDARD DRAWINGS

The following Roadway Standards as appear in "Roadway Standard Drawings" Highway Design Branch - N. C. Department of Transportation - Raleigh, N. C., Dated January, 2012 are applicable to this project and by reference hereby are considered a part of these plans:

STD. NO.	TITLE
DIVISION 2 - EARTHWORK	
200.02	Method of Clearing - Method II
225.02	Guide for Grading Subgrade - Secondary and Local
DIVISION 3 - PIPE CULVERTS	
300.01	Method of Pipe Installation

I6-JUN-2017 09:09  
S:\PROJECTS\15002.2074806\15002.2074806.dgn

# STATE OF NORTH CAROLINA, DIVISION OF HIGHWAYS CONVENTIONAL PLAN SHEET SYMBOLS

Note: Not to Scale \*S.U.E. = Subsurface Utility Engineering

## BOUNDARIES AND PROPERTY:

State Line	-----
County Line	-----
Township Line	-----
City Line	-----
Reservation Line	-----
Property Line	-----
Existing Iron Pin	○ EIP
Property Corner	-----
Property Monument	□ EDM
Parcel/Sequence Number	⑫③
Existing Fence Line	-x-x-x-
Proposed Woven Wire Fence	○
Proposed Chain Link Fence	□
Proposed Barbed Wire Fence	◇
Existing Wetland Boundary	----- WLB
Proposed Wetland Boundary	----- WLB
Existing Endangered Animal Boundary	----- EAB
Existing Endangered Plant Boundary	----- EPB
Existing Historic Property Boundary	----- HPB
Known Contamination Area: Soil	-----
Potential Contamination Area: Soil	-----
Known Contamination Area: Water	-----
Potential Contamination Area: Water	-----
Contaminated Site: Known or Potential	☠ ?

## BUILDINGS AND OTHER CULTURE:

Gas Pump Vent or U/G Tank Cap	○
Sign	○ S
Well	○ W
Small Mine	✕
Foundation	□
Area Outline	□
Cemetery	□
Building	□
School	□
Church	□
Dam	□

## HYDROLOGY:

Stream or Body of Water	-----
Hydro, Pool or Reservoir	-----
Jurisdictional Stream	----- JS
Buffer Zone 1	----- BZ 1
Buffer Zone 2	----- BZ 2
Flow Arrow	←
Disappearing Stream	-----
Spring	○
Wetland	-----
Proposed Lateral, Tail, Head Ditch	-----
False Sump	-----

## RAILROADS:

Standard Gauge	-----
RR Signal Milepost	○ MILEPOST 35
Switch	□ SWITCH
RR Abandoned	-----
RR Dismantled	-----

## RIGHT OF WAY:

Baseline Control Point	◆
Existing Right of Way Marker	△
Existing Right of Way Line	-----
Proposed Right of Way Line	-----
Proposed Right of Way Line with Iron Pin and Cap Marker	-----
Proposed Right of Way Line with Concrete or Granite R/W Marker	-----
Proposed Control of Access Line with Concrete CA Marker	-----
Existing Control of Access	-----
Proposed Control of Access	-----
Existing Easement Line	----- E
Proposed Temporary Construction Easement	----- E
Proposed Temporary Drainage Easement	----- TDE
Proposed Permanent Drainage Easement	----- PDE
Proposed Permanent Drainage / Utility Easement	----- DUE
Proposed Permanent Utility Easement	----- PUE
Proposed Temporary Utility Easement	----- TUE
Proposed Aerial Utility Easement	----- AUE
Proposed Permanent Easement with Iron Pin and Cap Marker	-----

## ROADS AND RELATED FEATURES:

Existing Edge of Pavement	-----
Existing Curb	-----
Proposed Slope Stakes Cut	----- C
Proposed Slope Stakes Fill	----- F
Proposed Curb Ramp	----- CR
Existing Metal Guardrail	-----
Proposed Guardrail	-----
Existing Cable Guiderail	-----
Proposed Cable Guiderail	-----
Equality Symbol	⊕
Pavement Removal	-----

## VEGETATION:

Single Tree	☼
Single Shrub	☼
Hedge	-----
Woods Line	-----

Orchard	☼ ☼ ☼ ☼
Vineyard	□ Vineyard

## EXISTING STRUCTURES:

MAJOR:	
Bridge, Tunnel or Box Culvert	----- CONC
Bridge Wing Wall, Head Wall and End Wall	----- CONC WW
MINOR:	
Head and End Wall	----- CONC HW
Pipe Culvert	-----
Footbridge	-----
Drainage Box: Catch Basin, DI or JB	□ CB
Paved Ditch Gutter	-----
Storm Sewer Manhole	○ S
Storm Sewer	----- S

## UTILITIES:

POWER:	
Existing Power Pole	●
Proposed Power Pole	○
Existing Joint Use Pole	●
Proposed Joint Use Pole	○
Power Manhole	⊕
Power Line Tower	⊠
Power Transformer	⊠
U/G Power Cable Hand Hole	○
H-Frame Pole	●
U/G Power Line LOS B (S.U.E.*)	----- P
U/G Power Line LOS C (S.U.E.*)	----- P
U/G Power Line LOS D (S.U.E.*)	----- P

## TELEPHONE:

Existing Telephone Pole	●
Proposed Telephone Pole	○
Telephone Manhole	⊕
Telephone Pedestal	⊠
Telephone Cell Tower	⊠
U/G Telephone Cable Hand Hole	○
U/G Telephone Cable LOS B (S.U.E.*)	----- T
U/G Telephone Cable LOS C (S.U.E.*)	----- T
U/G Telephone Cable LOS D (S.U.E.*)	----- T
U/G Telephone Conduit LOS B (S.U.E.*)	----- TC
U/G Telephone Conduit LOS C (S.U.E.*)	----- TC
U/G Telephone Conduit LOS D (S.U.E.*)	----- TC
U/G Fiber Optics Cable LOS B (S.U.E.*)	----- T FO
U/G Fiber Optics Cable LOS C (S.U.E.*)	----- T FO
U/G Fiber Optics Cable LOS D (S.U.E.*)	----- T FO

## WATER:

Water Manhole	⊕
Water Meter	○
Water Valve	⊗
Water Hydrant	⊕
U/G Water Line LOS B (S.U.E.*)	----- W
U/G Water Line LOS C (S.U.E.*)	----- W
U/G Water Line LOS D (S.U.E.*)	----- W
Above Ground Water Line	----- A/G Water

## TV:

TV Pedestal	⊠
TV Tower	⊗
U/G TV Cable Hand Hole	○
U/G TV Cable LOS B (S.U.E.*)	----- TV
U/G TV Cable LOS C (S.U.E.*)	----- TV
U/G TV Cable LOS D (S.U.E.*)	----- TV
U/G Fiber Optic Cable LOS B (S.U.E.*)	----- TV FO
U/G Fiber Optic Cable LOS C (S.U.E.*)	----- TV FO
U/G Fiber Optic Cable LOS D (S.U.E.*)	----- TV FO

## GAS:

Gas Valve	◇
Gas Meter	⊕
U/G Gas Line LOS B (S.U.E.*)	----- G
U/G Gas Line LOS C (S.U.E.*)	----- G
U/G Gas Line LOS D (S.U.E.*)	----- G
Above Ground Gas Line	----- A/G Gas

## SANITARY SEWER:

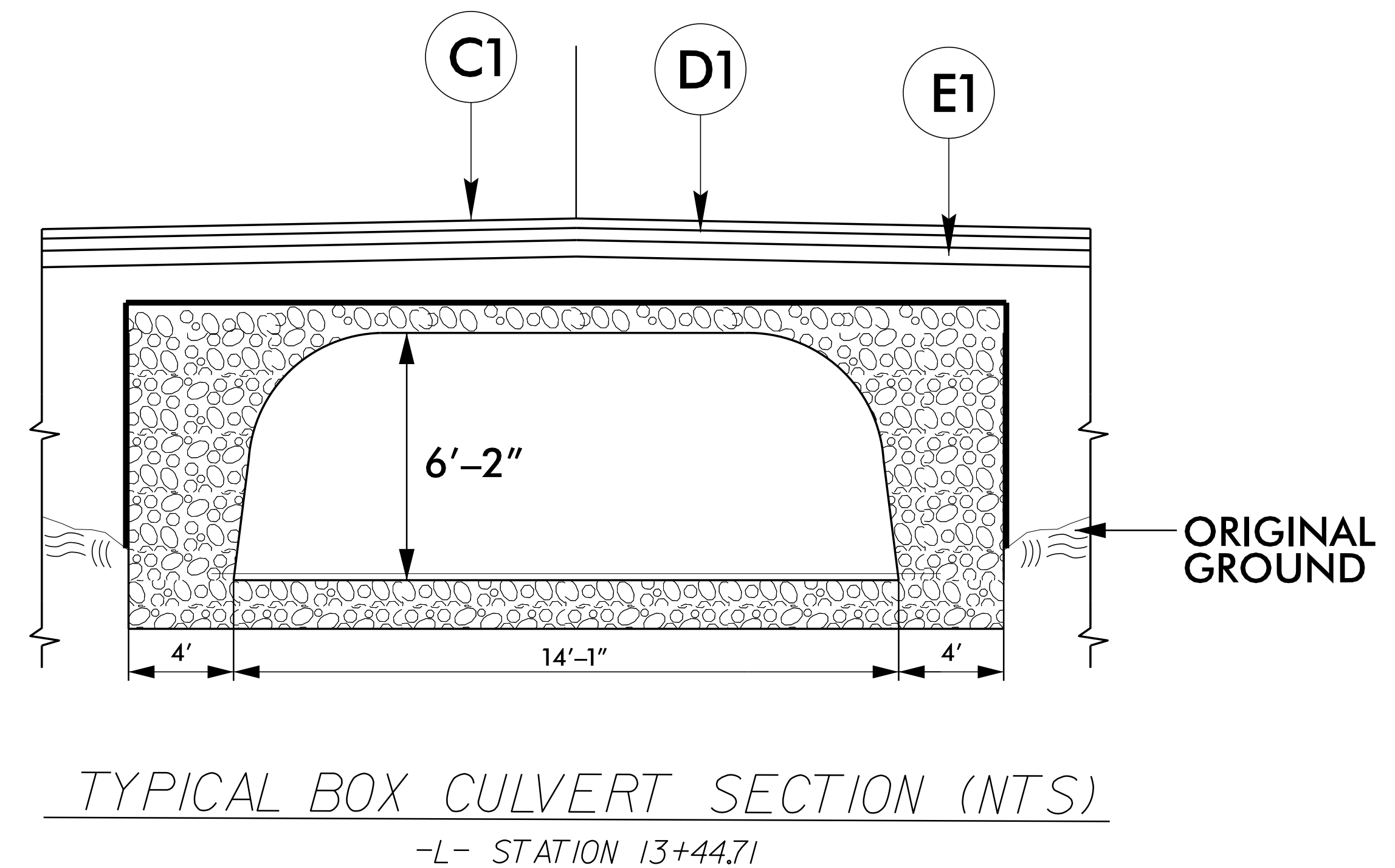
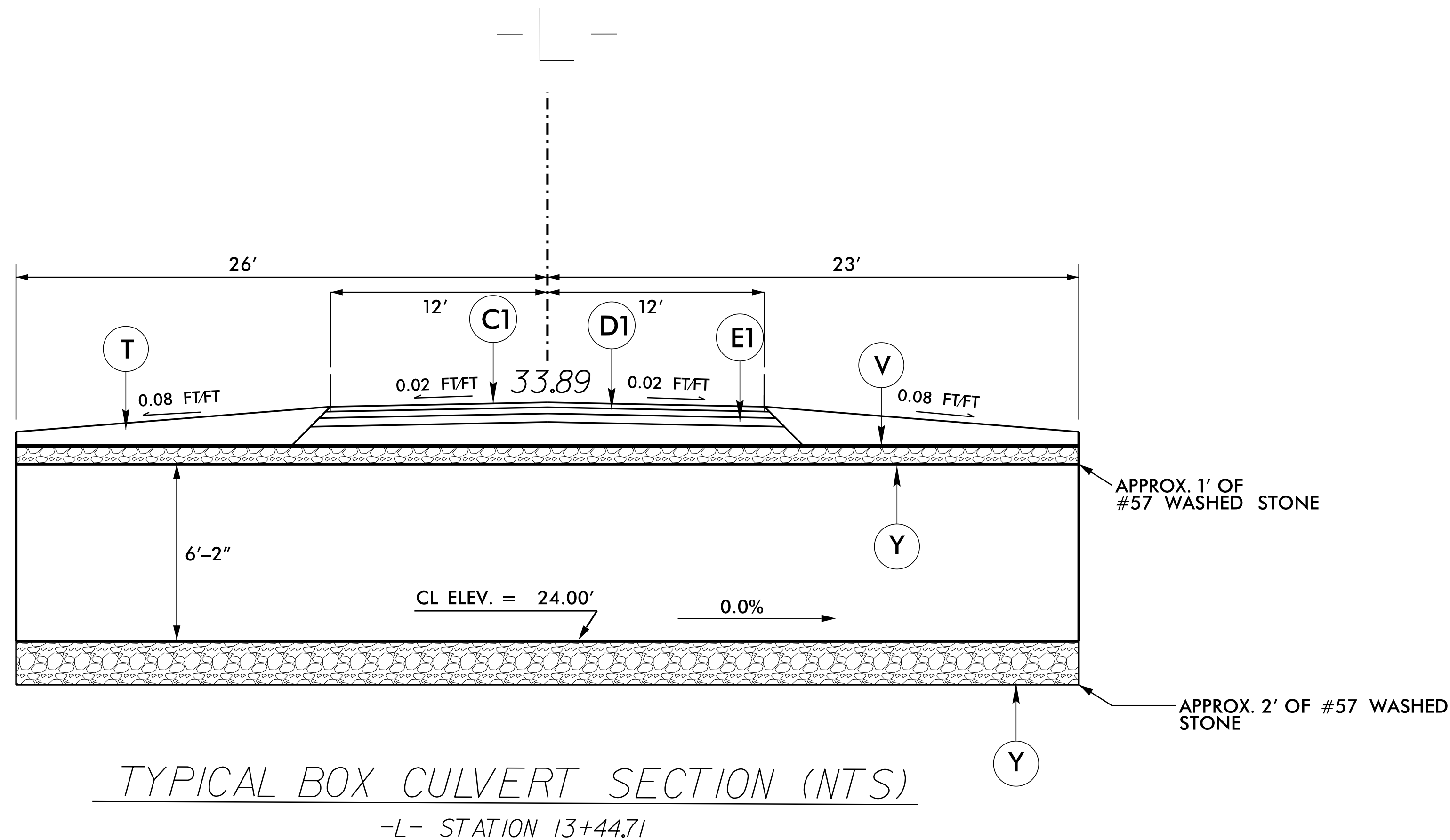
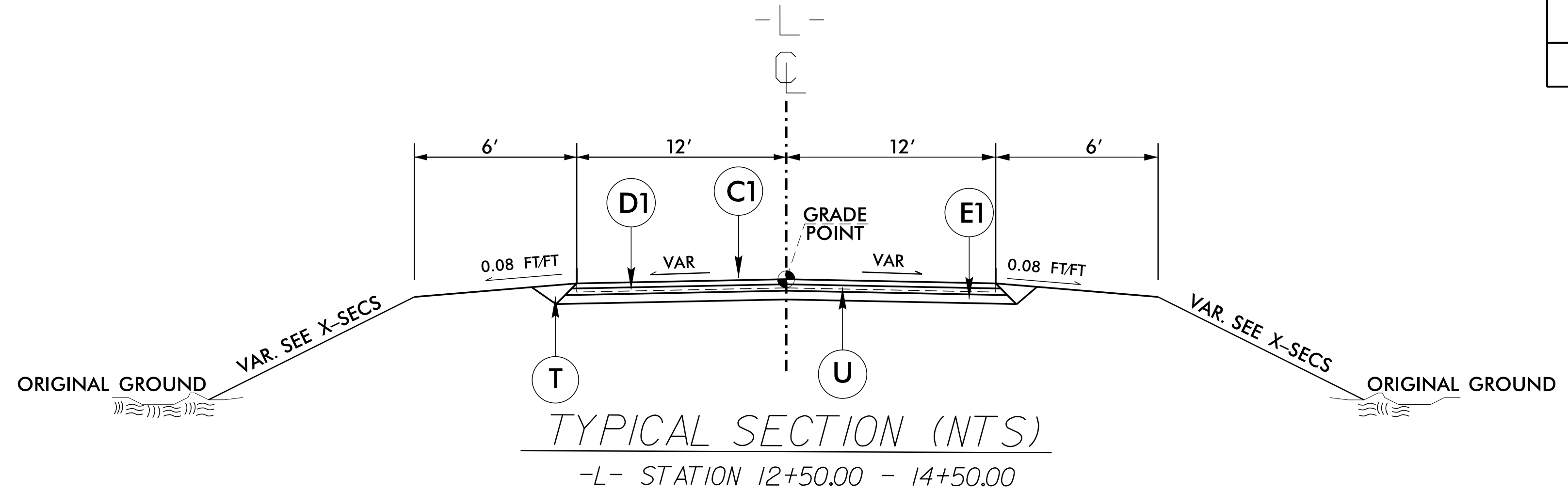
Sanitary Sewer Manhole	⊕
Sanitary Sewer Cleanout	⊕
U/G Sanitary Sewer Line	----- SS
Above Ground Sanitary Sewer	----- A/G Sanitary Sewer
SS Forced Main Line LOS B (S.U.E.*)	----- FSS
SS Forced Main Line LOS C (S.U.E.*)	----- FSS
SS Forced Main Line LOS D (S.U.E.*)	----- FSS

## MISCELLANEOUS:

Utility Pole	●
Utility Pole with Base	⊠
Utility Located Object	○
Utility Traffic Signal Box	⊠
Utility Unknown U/G Line LOS B (S.U.E.*)	----- ?U/L
U/G Tank; Water, Gas, Oil	□
Underground Storage Tank, Approx. Loc.	⊕
A/G Tank; Water, Gas, Oil	□
Geoenvironmental Boring	⊕
U/G Test Hole LOS A (S.U.E.*)	⊕
Abandoned According to Utility Records	AATUR
End of Information	E.O.I.

C1	PROP. APPROX. 2" ASPHALT CONCRETE SURFACE COURSE, TYPE SF9.5B, AT AN AVERAGE RATE OF 224 LBS. PER SQ.YD.
D1	PROP. APPROX. 3" ASPHALT CONCRETE INTERMEDIATE COURSE, TYPE I19.0B, AT AN AVERAGE RATE OF 342 LBS. PER SQ.YD.
E1	PROP. APPROX. 5" ASPHALT CONCRETE BASE COURSE, TYPE B25.0B, AT AN AVERAGE RATE OF 570 LBS. PER SQ. YD.
T	EARTH MATERIAL.
U	EXISTING PAVEMENT.
V	FILTER FABRIC
Y	#57 WASHED STONE

NOTE: PAVEMENT EDGE SLOPES ARE 1:1 UNLESS SHOWN OTHERWISE.



REVISIONS

16 JUN 2017 09:19 T:\33BELVD\DR\33bel\voir-ph2.dwg  
 8/17/99

STATE OF NORTH CAROLINA  
DIVISION OF HIGHWAYS  
SUMMARY OF QUANTITIES

ITEM	SECT	QUANTITY	UNIT	ITEM DESCRIPTION
1	800	1	LS	MOBILIZATION
2	801	1	LS	CONSTRUCTION SURVEYING
3	226	185	CY	UNCLASSIFIED EXCAVATION
4	250	535	SY	REMOVAL OF EXISTING ASPHALT PAVEMENT
5	265	120	CY	SELECT GRANULAR MATERIAL
6	412	1	LS	UNCLASSIFIED STRUCTURE EXCAVATION -L- STATION 13+44.71
7	520	331	TON	*57 STONE
8	610	175	TON	ASPHALT CONC BASE COURSE,TYPE B25.0B
9	610	110	TON	ASPHALT CONC INTERMEDIATE COURSE,TYPE 119.0B
10	610	65	TON	ASPHALT CONC SURFACE COURSE,TYPE SF9.5B
11	620	20	TON	ASPHALT BINDER FOR PLANT MIX
12	876	195	SY	GEOTEXTILE FOR DRAINAGE
13	1605	240	LF	TEMPORARY SILT FENCE
14	1605	200	LF	SAFETY FENCE
15	1610	5	TON	STONE FOR EROSION CONTROL,CLASS B
16	1610	10	TON	SEDIMENT CONTROL STONE
17	1620	50	LB	SEED FOR TEMPORARY SEEDING
18	1620	0.20	TON	FERTILIZER FOR TEMPORARY SEEDING
19	1632	50	LF	1/4" HARDWARE CLOTH
20	1631	100	SY	MATTING FOR EROSION CONTROL
21	1660	1	ACRE	SEEDING AND MULCHING
22	1661	50	LB	SEED FOR REPAIR SEEDING
23	1661	0.2	TON	FERTILIZER FOR REPAIR SEEDING
24	SP	1	LS	REMOVAL OF EXISTING STRUCTURE -L- STA 13+44.71
25	SP	70	LF	WATTLE
26	SP	2	LB	POLYACRYLAMIDE (PAM)
27	SP	1	LS	INSTALL NCDOT SUPPLIED 14'-1" X 6'-2" ABC -L- STATION 13+44.71
28	SP	112	LF	IMPERVIOUS DIKE
29	SP	3	EA	RESPONSE FOR EROSION CONTROL
30	SP	1	LS	DEWATERING

REVISIONS

8/17/99

I6-JUN-2007 09:19 C:\P\T\33BELVDIF\33BELVDIF\33belvdif-psh3.dwg  
\$\$\$\$\$SYTIME\$\$\$\$\$

STATE OF NORTH CAROLINA  
DIVISION OF HIGHWAYS

**LIST OF PIPES, ENDWALLS, ETC.**

STATION	LOCATION (L, RT, OR CL)	STRUCTURE NO.		TOP ELEVATION	INVERT ELEVATION	INVERT ELEVATION	SLOPE CRITICAL	R.C. PIPE (CLASS III)							REMOVE 60' OF EXISTING 78" CMP	14'-1" X 6'-2" ALUMINUM BOX CULVERT
		FROM	TO					15"	18"	24"	30"	36"	42"	48"		
-L- 13 + 44.71	CL	1		24.00	24.00	0.0%									60'	50'
-L- 13 + 09.86	CL	2	OUT	30.05	29.90		40									
TOTALS							40							60'	50'	

NOTE: Invert Elevations are for Bid Purposes only and shall not be used for project construction stakeout. See "Standard Specifications For Roads and Structures, Section 300-5".

**SUMMARY OF EARTHWORK  
IN CUBIC YARDS**

LOCATION	UNCLASSIFIED EXCAVATION	BOX CULVERT EXCAVATION	UNDERCUT	EMBT + %	BORROW	WASTE
-L- 11 + 00.00 - 12 + 50.00	181		0	47	0	134
UNDERCUT (CONTINGENCY)			100	120	120	100
UNCLASSIFIED STRUCTURE EXCAVATION		1252	0	0	0	252
SUB TOTAL	181	1252	100	167	120	486
SAY	185	1255	100	170	120	490

**PAVEMENT REMOVAL SUMMARY  
IN SQUARE YARDS**

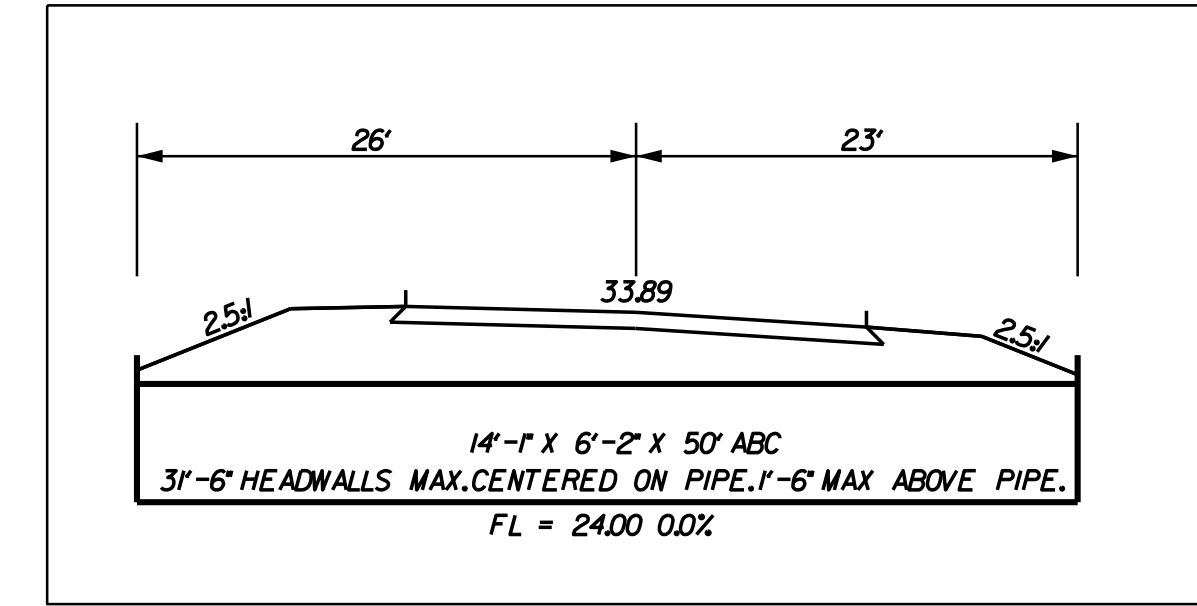
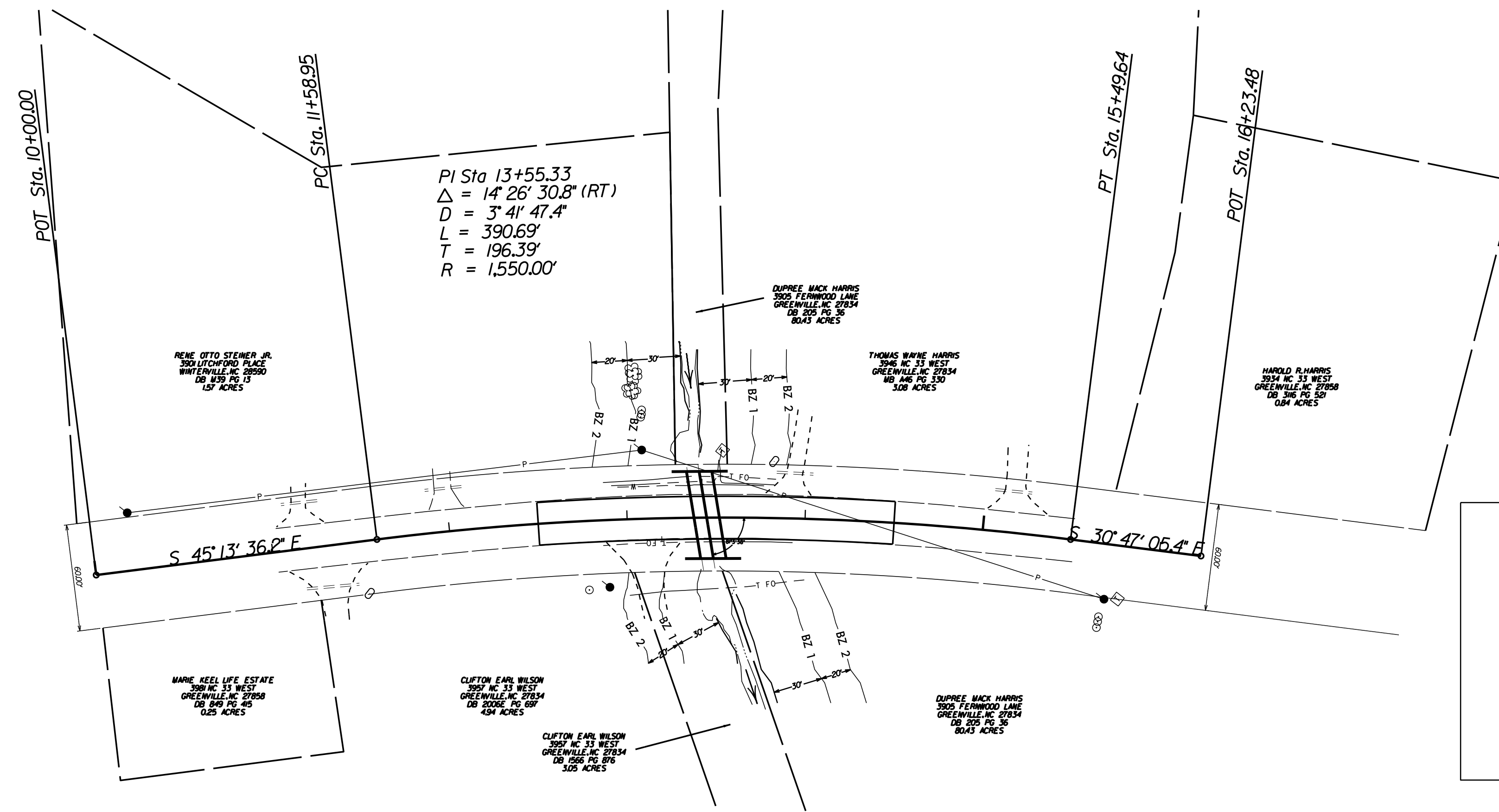
LINE	STATION - STATION	LOCATION	REMOVAL (SY)
-L-	12 + 50.00 - 14 + 50.00	CL	533
TOTAL			533
SAY			535

NOTE:  
APPROXIMATE QUANTITIES ONLY. UNCLASSIFIED EXCAVATION, UNCLASSIFIED STRUCTURE EXCAVATION, BORROW EXCAVATION, FINE GRADING, CLEARING AND GRUBBING AND REMOVAL OF EXISTING PAVEMENT WILL BE PAID FOR AT THE CONTRACT LUMP SUM PRICE FOR "GRADING."

REVISIONS

8/17/99

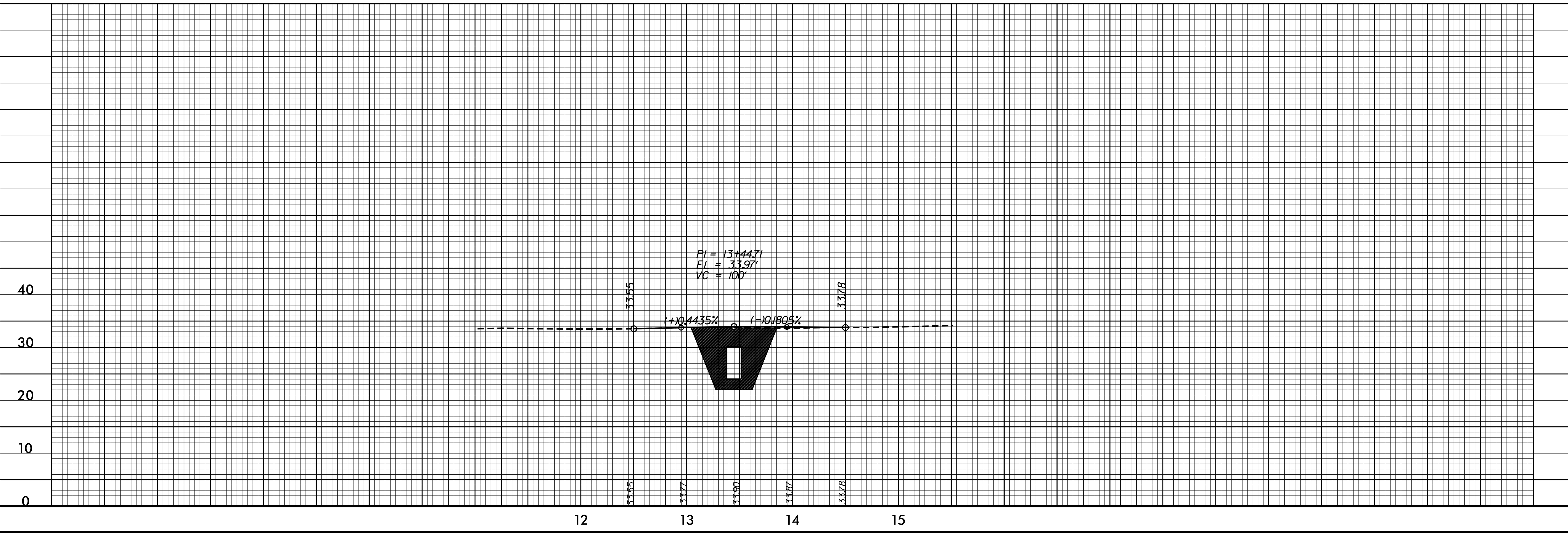
I6-JUN-2007 09:09  
S:\PROJECTS\15002.2074806\15002.2074806.dgn



REVISIONS

8/17/99

I:\6-441N-2017\_0920\33BELVDIR\33belvdir-ph4.dgn  
 8:48:51 AM 8/17/2017



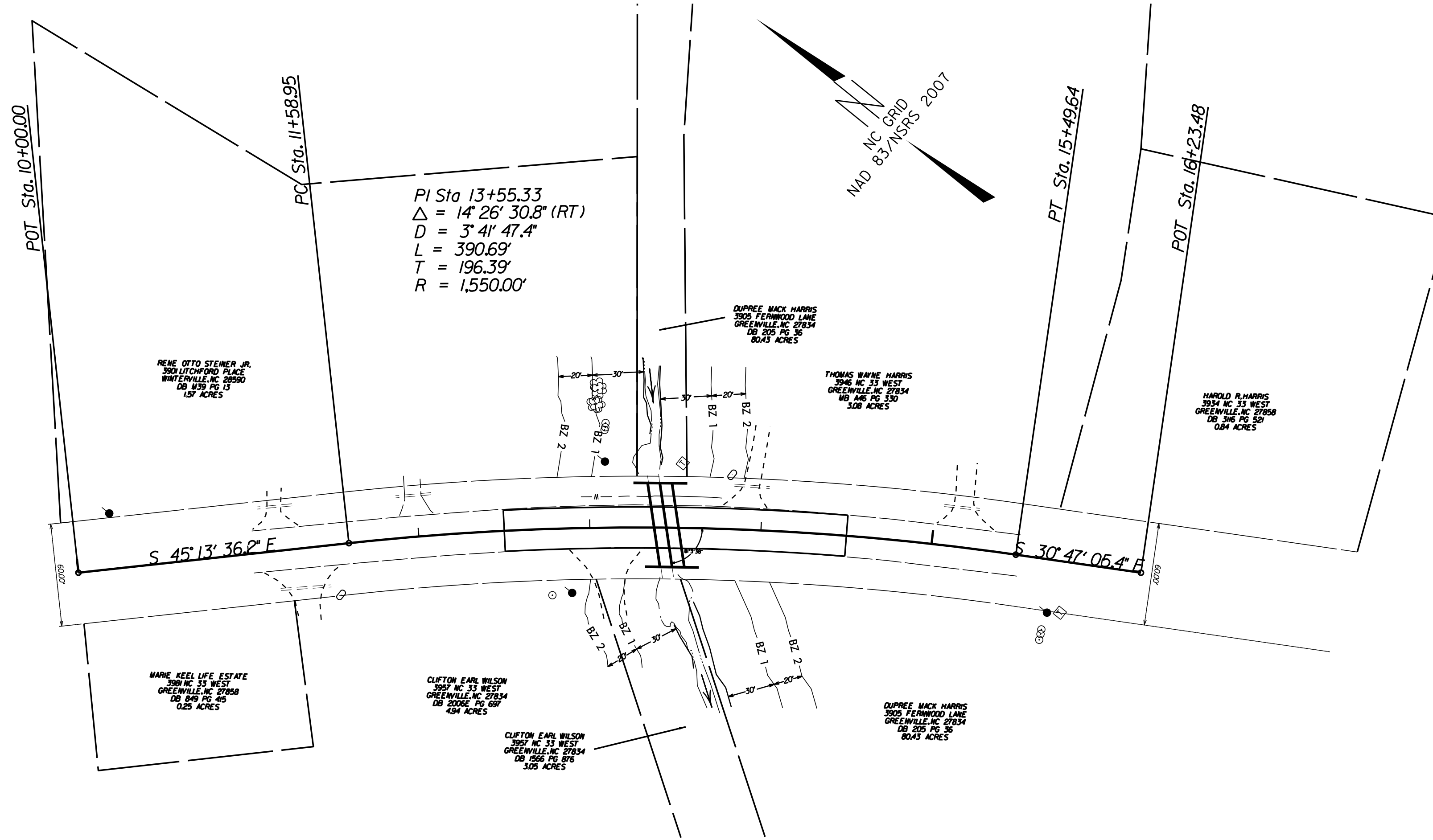
PROJECT: DF15002.2074806

STATE OF NORTH CAROLINA  
DIVISION OF HIGHWAYS  
PLAN FOR PROPOSED  
HIGHWAY EROSION CONTROL

STATE	STATE PROJECT REFERENCE NO.	SHEET NO.	TOTAL SHEETS
N.C.	DF15002.2074806	EC-1	
STATE PROJ. NO.	F.A. PROJ. NO.	DESCRIPTION	

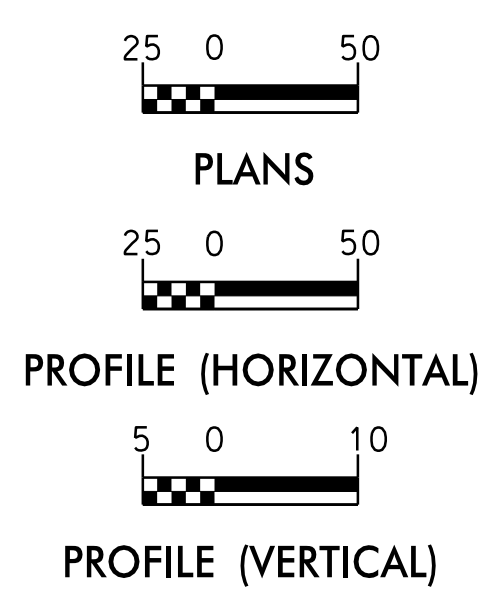
**EROSION AND SEDIMENT CONTROL MEASURES**

Std. #	Description	Symbol
1630.03	Temporary Silt Ditch	TD
1630.05	Temporary Diversion	TD
1605.01	Temporary Silt Fence	III III III
1606.01	Special Sediment Control Fence	△△△△△
1622.01	Temporary Berms and Slope Drains	— T —
1630.02	Silt Basin Type B	▨
1633.01	Temporary Rock Silt Check Type-A	▩
	Temporary Rock Silt Check Type-A with Matting and Polyacrylamide (PAM)	▩
1633.02	Temporary Rock Silt Check Type-B	▩
	Wattle/Coir Fiber Wattle	W
	Wattle/Coir Fiber Wattle with Polyacrylamide (PAM)	W
1634.01	Temporary Rock Sediment Dam Type-A	▩
1634.02	Temporary Rock Sediment Dam Type-B	▩
1635.01	Rock Pipe Inlet Sediment Trap Type-A	⊓
1635.02	Rock Pipe Inlet Sediment Trap Type-B	⊓
1630.04	Stilling Basin	▭
1630.06	Special Stilling Basin	▭
	Rock Inlet Sediment Trap:	
1632.01	Type A	A
1632.02	Type B	B
1632.03	Type C	C
	Skimmer Basin	▭
	Tiered Skimmer Basin	▭
	Infiltration Basin	▭

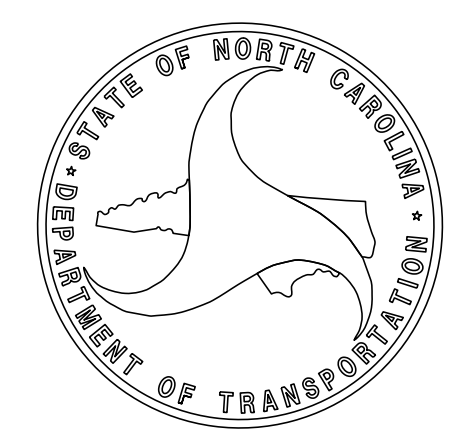


THIS PROJECT CONTAINS  
EROSION CONTROL PLANS  
FOR CLEARING AND  
GRUBBING PHASE OF  
CONSTRUCTION.

**GRAPHIC SCALE**



DIVISION TWO DDC UNIT  
DIVISION OF HIGHWAYS  
STATE OF NORTH CAROLINA



THESE EROSION AND SEDIMENT CONTROL PLANS COMPLY  
WITH THE REGULATIONS SET FORTH BY THE  
NCG-010000 GENERAL CONSTRUCTION PERMIT EFFECTIVE AUGUST 3, 2011  
ISSUED BY THE NORTH CAROLINA DEPARTMENT OF ENVIRONMENT AND  
NATURAL RESOURCES DIVISION OF WATER QUALITY.

**2012 STANDARD SPECIFICATIONS**

Prepared in the Office of:  
**DIVISION 2 DDC**  
1704 N. Greene St.,  
Greenville, NC 27835

**2012 STANDARD SPECIFICATIONS**

Designed by:  
**TIMOTHY PINKHAM** **3510**  
NAME LEVEL III CERTIFICATION NO.

Roadway Standard Drawings

The following roadway english standards as appear in "Roadway Standard Drawings"- Roadway Design Unit - N. C. Department of Transportation - Raleigh, N. C., dated January 2012 and the latest revision thereto are applicable to this project and by reference hereby are considered a part of these plans.

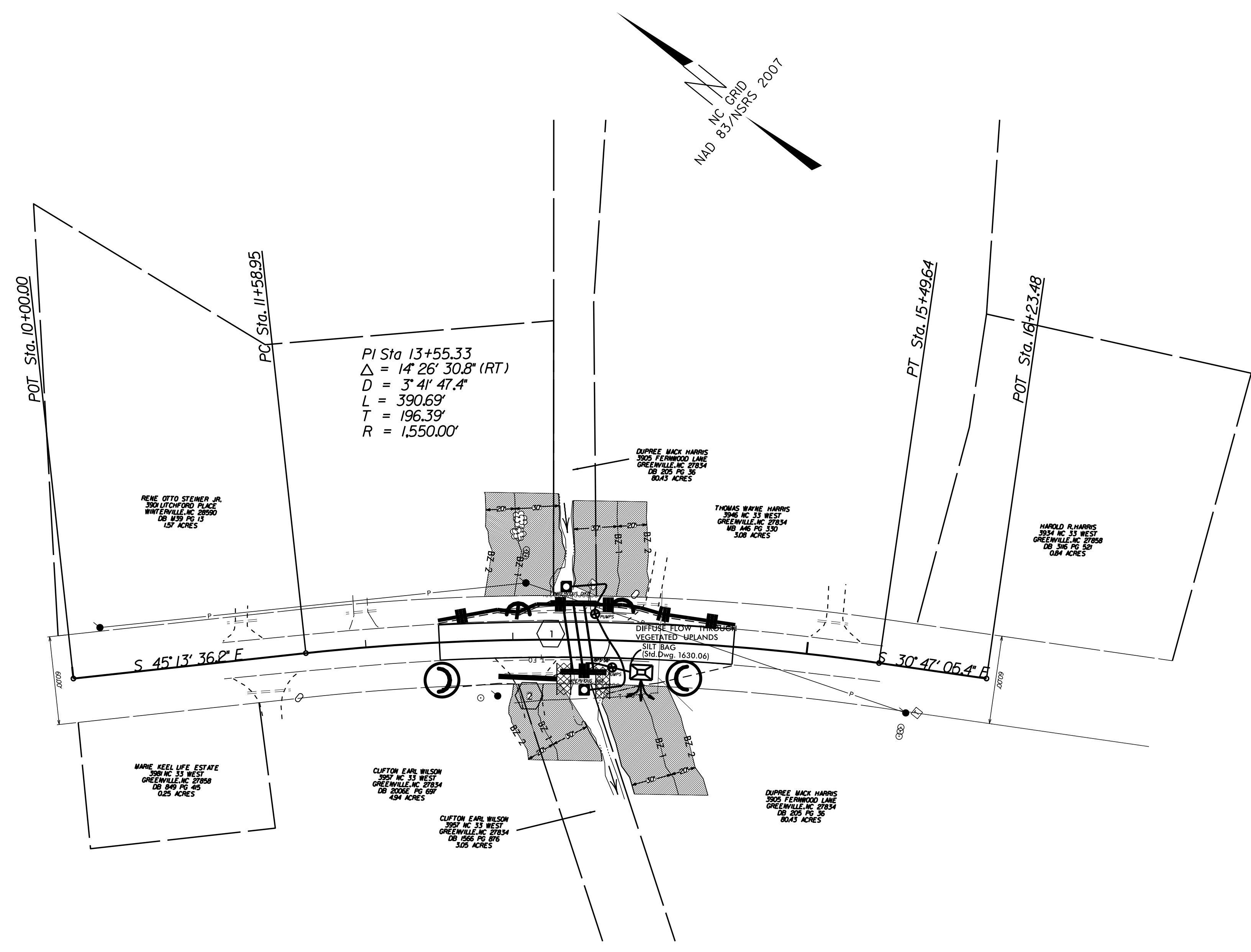
1604.01 Railroad Erosion Control Detail	1632.01 Rock Inlet Sediment Trap Type A
1605.01 Temporary Silt Fence	1632.02 Rock Inlet Sediment Trap Type B
1606.01 Special Sediment Control Fence	1632.03 Rock Inlet Sediment Trap Type C
1607.01 Gravel Construction Entrance	1633.01 Temporary Rock Silt Check Type A
1622.01 Temporary Berms and Slope Drains	1633.02 Temporary Rock Silt Check Type B
1630.01 Riser Basin	1634.01 Temporary Rock Sediment Dam Type A
1630.02 Silt Basin Type B	1634.02 Temporary Rock Sediment Dam Type B
1630.03 Temporary Silt Ditch	1635.01 Rock Pipe Inlet Sediment Trap Type A
1630.04 Stilling Basin	1635.02 Rock Pipe Inlet Sediment Trap Type B
1630.05 Temporary Diversion	1640.01 Coir Fiber Baffle
1630.06 Special Stilling Basin	1645.01 Temporary Stream Crossing
1631.01 Matting Installation	



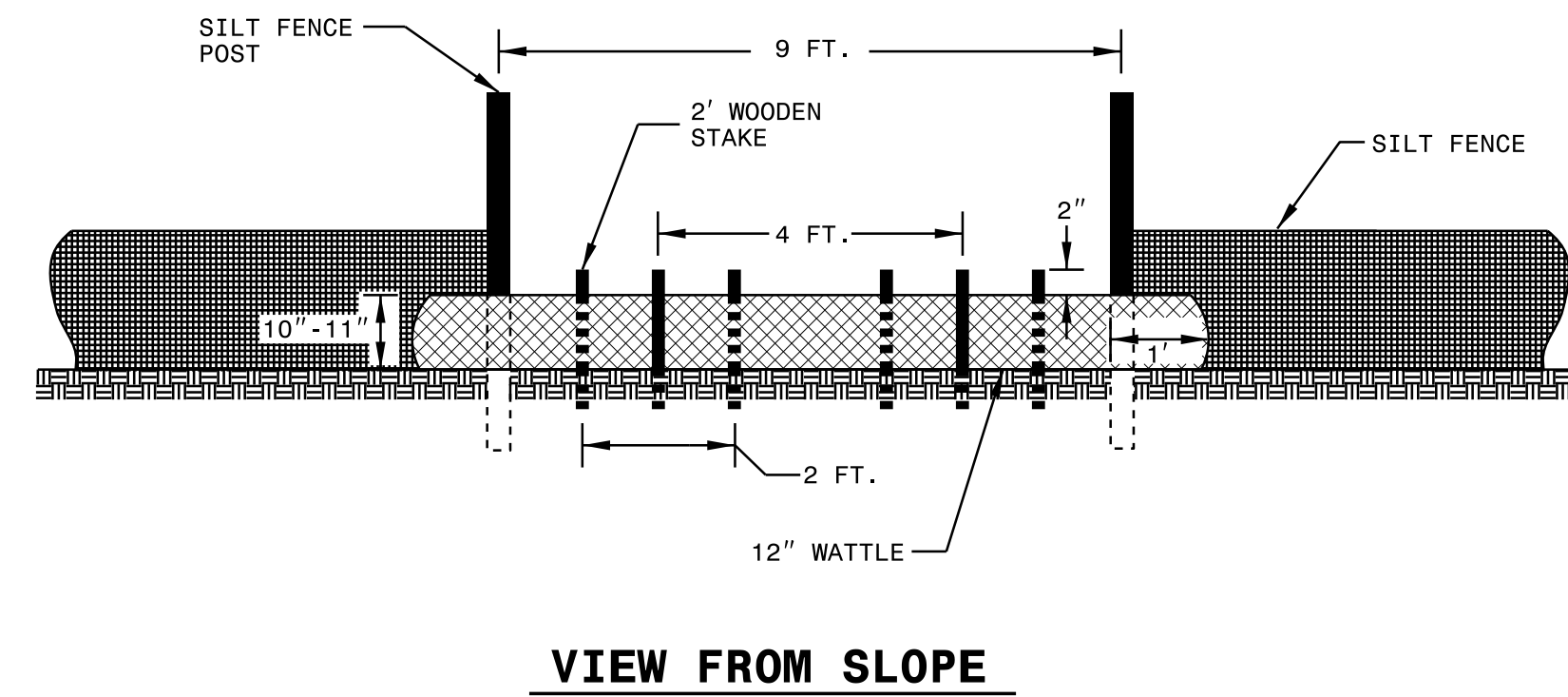
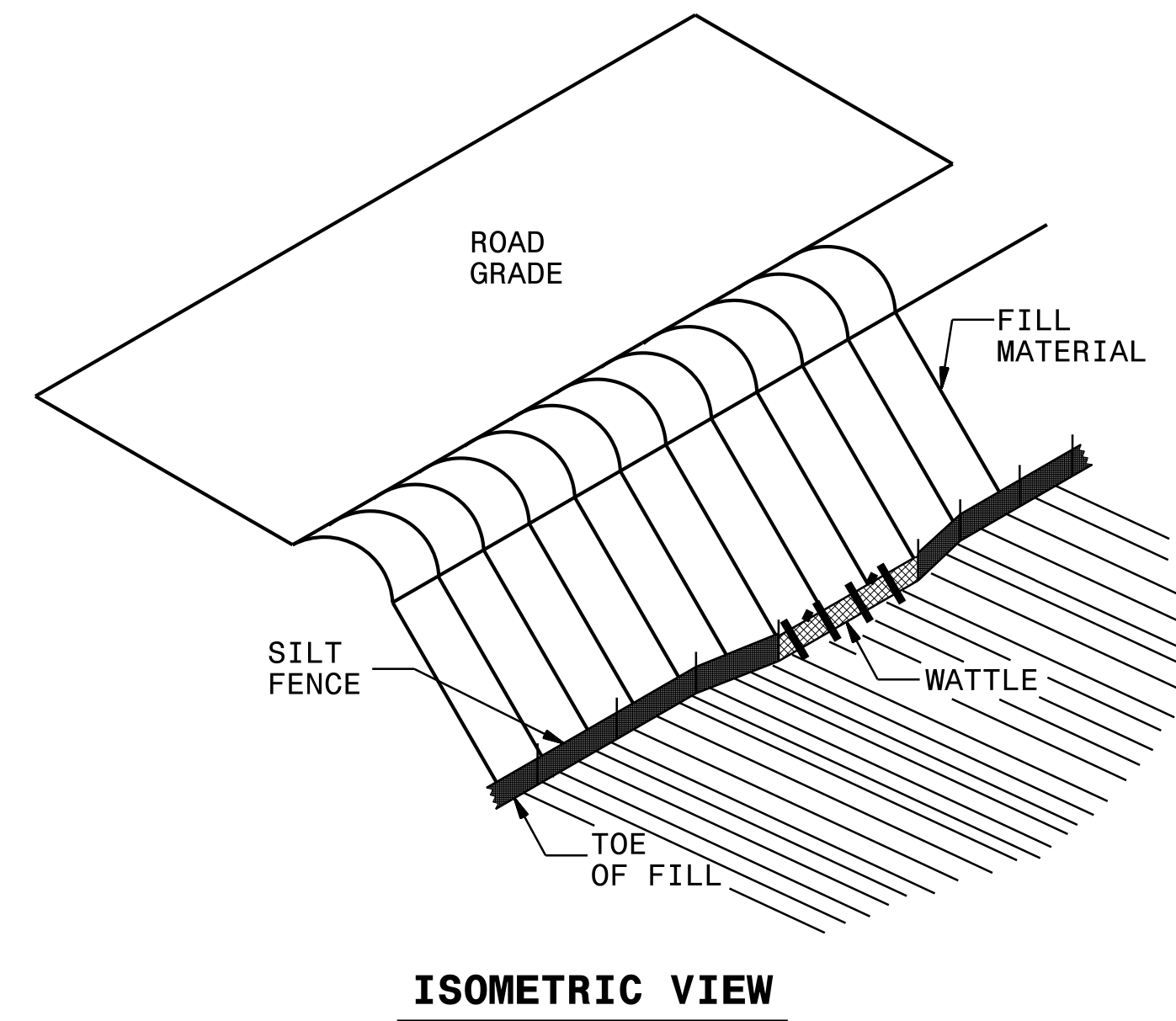
8/17/99

REVISIONS

I6-JUN-2007 09:20  
S:\\$SUNSTEN\MAVE.888\$  
33BELVDIFR\33BEL\voir\_eb2.dgn



# SILT FENCE COIR FIBER WATTLE BREAK DETAIL



**NOTES:**

USE MINIMUM 12 IN. DIAMETER COIR FIBER (COCONUT FIBER) WATTLE AND LENGTH OF 10 FT.

EXCAVATE A 1 TO 2 INCH TRENCH FOR WATTLE TO BE PLACED.

DO NOT PLACE WATTLE ON TOE OF SLOPE.

USE 2 FT. WOODEN STAKES WITH A 2 IN. BY 2 IN. NOMINAL CROSS SECTION.

INSTALL A MINIMUM OF 2 UPSLOPE STAKES AND 4 DOWNSLOPE STAKES AT AN ANGLE TO WEDGE WATTLE TO GROUND.

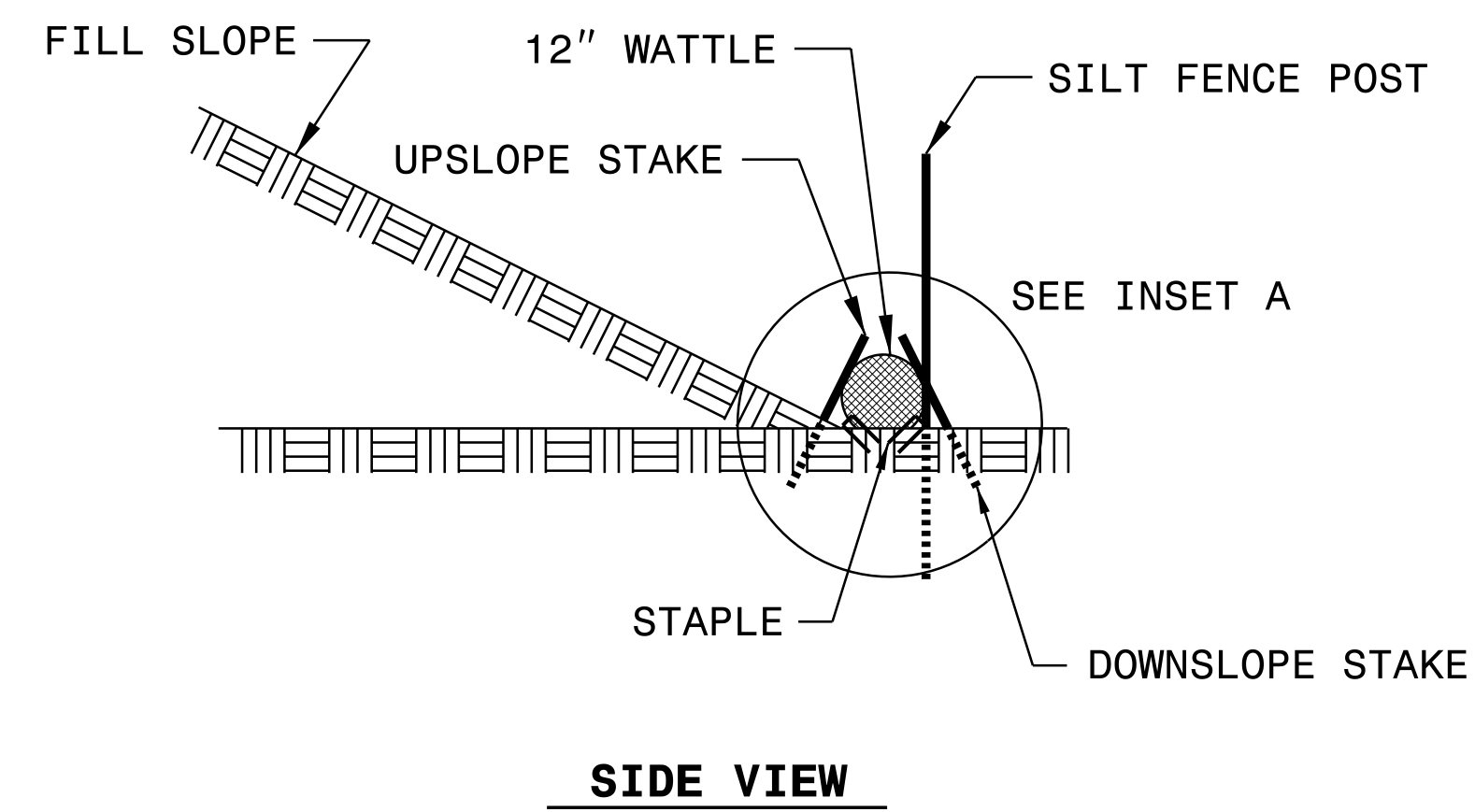
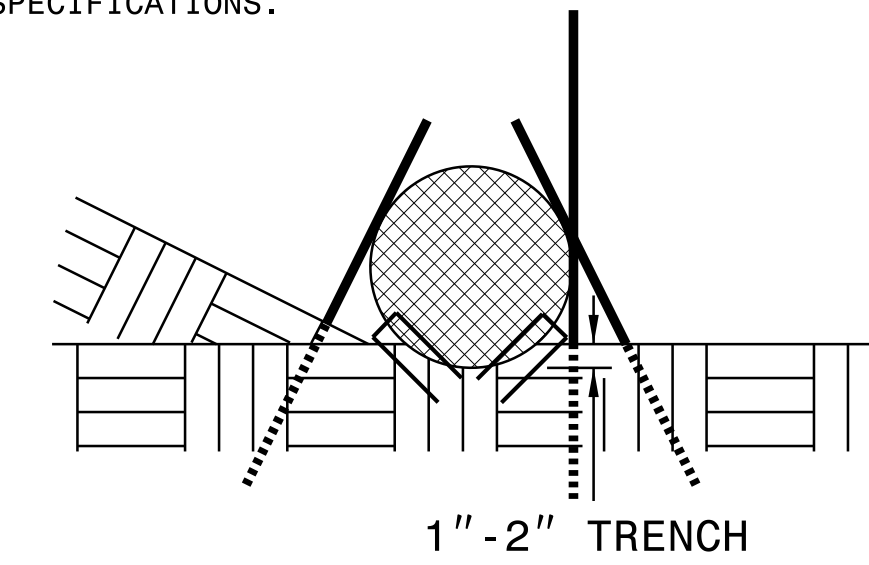
PROVIDE STAPLES MADE OF 0.125 IN. DIAMETER STEEL WIRE FORMED INTO A U SHAPE NOT LESS THAN 12" IN LENGTH.

INSTALL STAPLES APPROXIMATELY EVERY 1 LINEAR FOOT ON BOTH SIDES OF WATTLE AND AT EACH END TO SECURE IT TO THE SOIL.

WATTLE INSTALLATION CAN BE ON OUTSIDE OF THE SILT FENCE AS DIRECTED.

INSTALL TEMPORARY SILT FENCE IN ACCORDANCE WITH SECTION 1605 OF THE STANDARD SPECIFICATIONS.

**INSET A**



SHEET 1 OF 1 1633.01	<b>TEMPORARY ROCK SILT CHECK TYPE 'A'</b> ENGLISH STANDARD DRAWING FOR	STATE OF NORTH CAROLINA DEPT. OF TRANSPORTATION DIVISION OF HIGHWAYS RALEIGH, N.C.
	<p style="text-align: center;"><b>PLAN</b></p> <p>NOTE USE CLASS 'B' EROSION CONTROL STONE FOR STRUCTURAL STONE. USE NO. 5 OR NO. 57 STONE FOR SEDIMENT CONTROL STONE.</p> <p style="text-align: center;"><b>SECTION A-A</b></p> <p style="text-align: center;"><b>SECTION B-B</b> *T = 12" MIN., 18" MAX.</p>	
SHEET 1 OF 1 1633.01	ENGLISH STANDARD DRAWING FOR <b>TEMPORARY ROCK SILT CHECK TYPE 'A'</b>	
	STATE OF NORTH CAROLINA DEPT. OF TRANSPORTATION DIVISION OF HIGHWAYS RALEIGH, N.C.	

DIVISION OF HIGHWAYS  
STATE OF NORTH CAROLINA

---



---

## ***SOIL STABILIZATION TIMEFRAMES***

<i>SITE DESCRIPTION</i>	<i>STABILIZATION TIME</i>	<i>TIMEFRAME EXCEPTIONS</i>
PERIMETER DIKES, SWALES, DITCHES AND SLOPES	7 DAYS	NONE
HIGH QUALITY WATER (HQW) ZONES	7 DAYS	NONE
SLOPES STEEPER THAN 3:1	7 DAYS	IF SLOPES ARE 10' OR LESS IN LENGTH AND ARE NOT STEEPER THAN 2:1, 14 DAYS ARE ALLOWED.
SLOPES 3:1 OR FLATTER	14 DAYS	7 DAYS FOR SLOPES GREATER THAN 50' IN LENGTH.
ALL OTHER AREAS WITH SLOPES FLATTER THAN 4:1	14 DAYS	NONE, EXCEPT FOR PERIMETERS AND HQW ZONES.

STATE OF NORTH CAROLINA  
DIVISION OF HIGHWAYS

## CROSS-SECTION SUMMARY

IN CUBIC YARDS

LOCATION (-L-)	UNCLASSIFIED EXCAVATION	UNDERCUT	EMBANKMENT	STRUCTURE EXCAVATION
<i>12 + 50.00</i>	<i>0</i>	<i>0</i>	<i>0</i>	<i>0</i>
<i>12 + 90.00</i>	<i>32</i>	<i>0</i>	<i>2</i>	<i>0</i>
<i>13 + 04.10</i>	<i>16</i>	<i>0</i>	<i>1</i>	<i>0</i>
<i>13 + 27.67</i>	<i>27</i>	<i>0</i>	<i>3</i>	<i>261</i>
<i>13 + 44.71</i>	<i>16</i>	<i>0</i>	<i>4</i>	<i>363</i>
<i>13 + 61.75</i>	<i>19</i>	<i>0</i>	<i>7</i>	<i>364</i>
<i>13 + 85.54</i>	<i>23</i>	<i>0</i>	<i>14</i>	<i>264</i>
<i>14 + 00.00</i>	<i>11</i>	<i>0</i>	<i>7</i>	<i>0</i>
<i>14 + 50.00</i>	<i>37</i>	<i>0</i>	<i>9</i>	<i>0</i>
<i>14 + 50.00</i>	<i>17</i>	<i>0</i>	<i>76</i>	<i>0</i>

NOTE: EMBANKMENT COLUMN DOES NOT INCLUDE BACKFILL FOR UNDERCUT.

NOTE:

APPROXIMATE QUANTITIES ONLY. UNCLASSIFIED EXCAVATION, UNCLASSIFIED STRUCTURE EXCAVATION, BORROW EXCAVATION, FINE GRADING, CLEARING AND GRUBBING AND REMOVAL OF EXISTING PAVEMENT.

